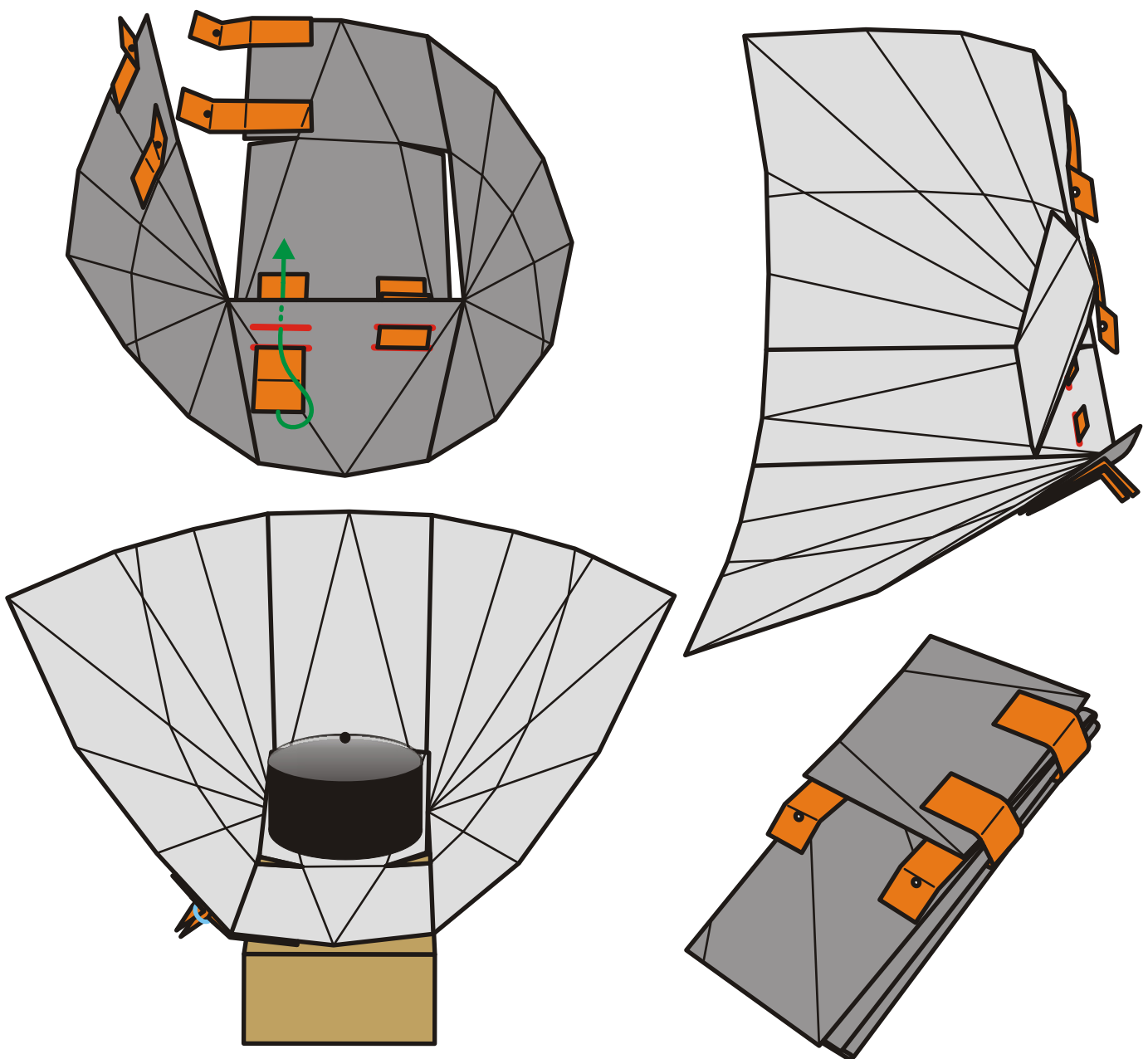


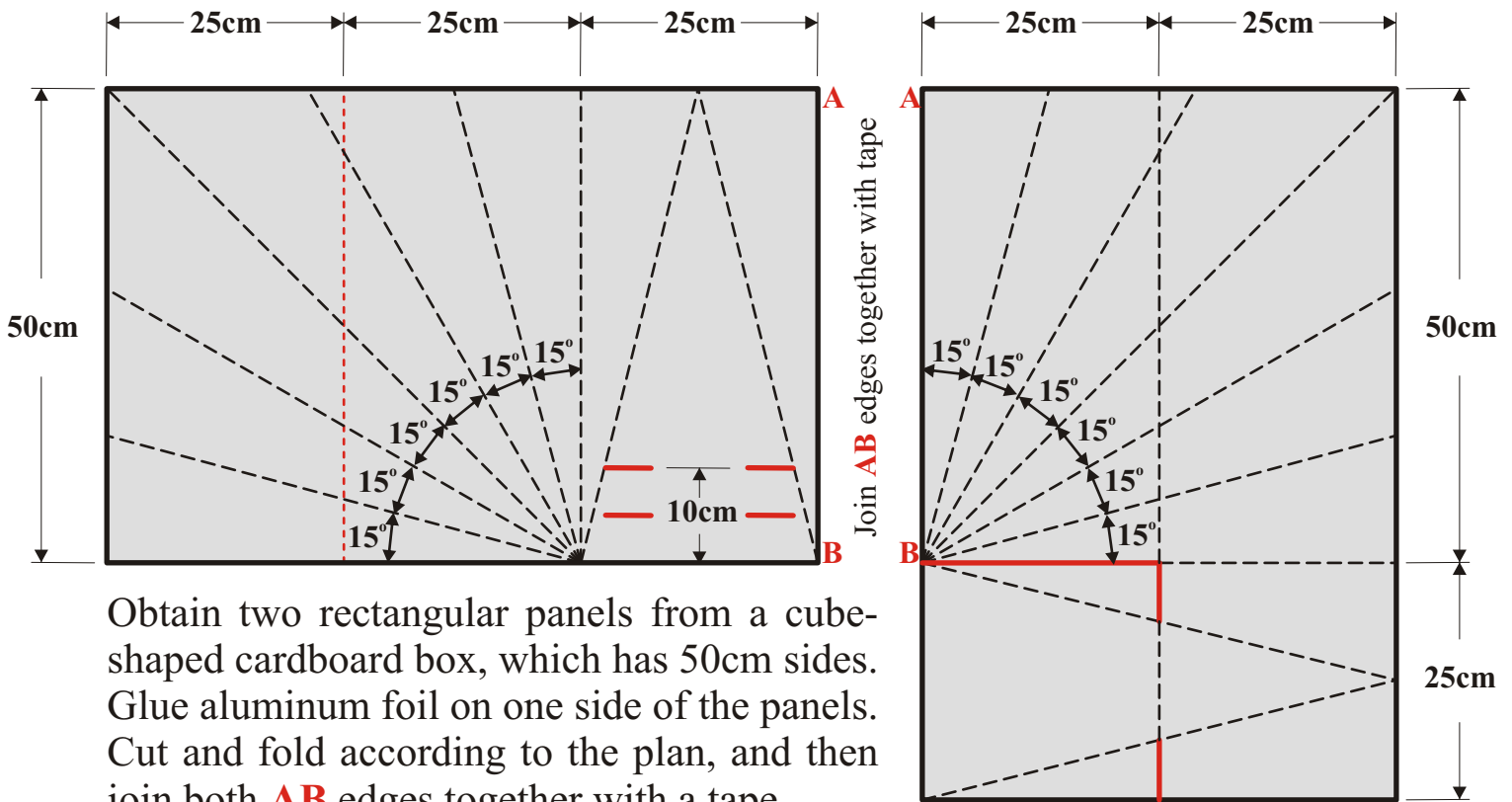
Fun-Panel Solar Cooker

(Collapsible Version)

Construction Plan & Pictorial Guide

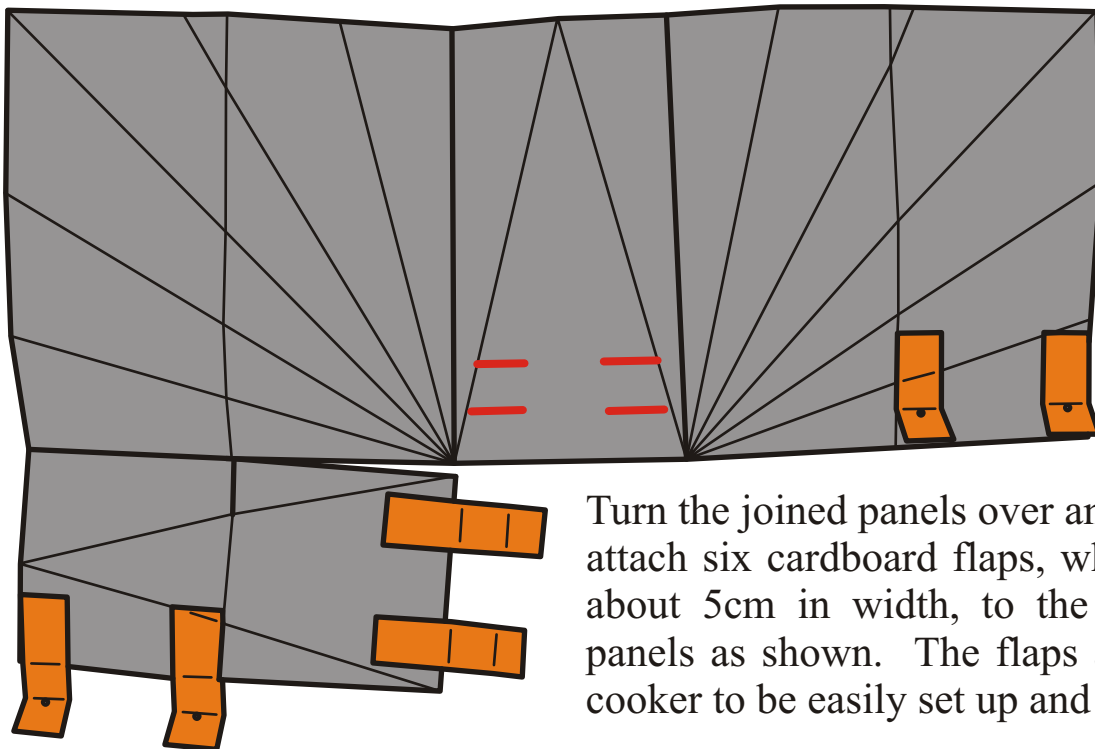


Fun-Panel Cooker - Construction Plan



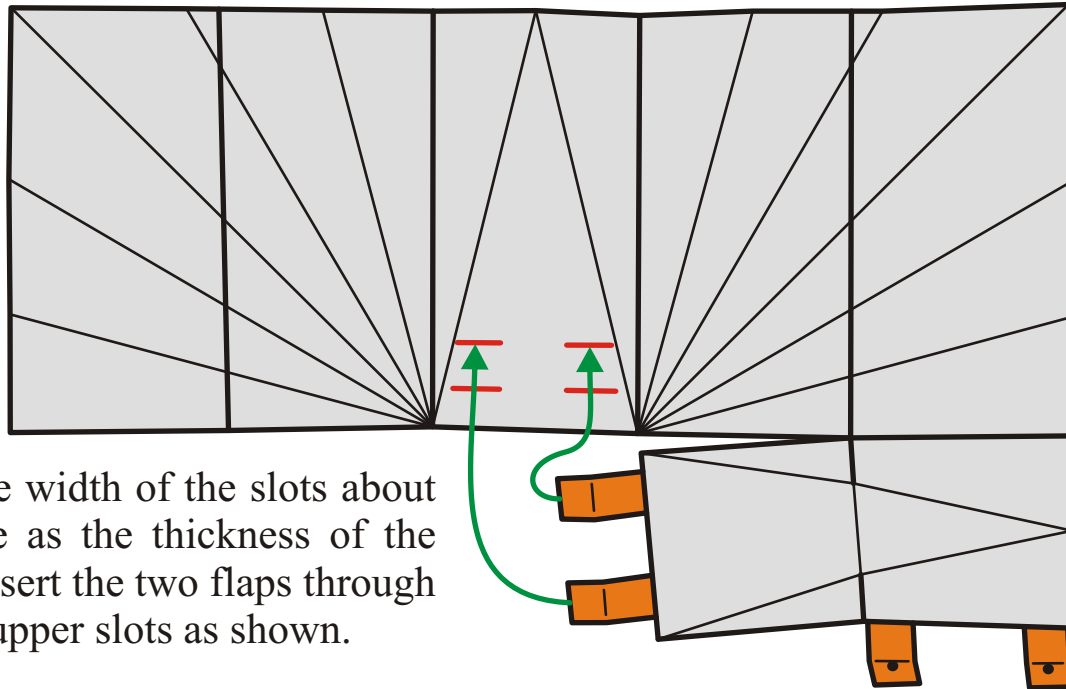
Obtain two rectangular panels from a cube-shaped cardboard box, which has 50cm sides. Glue aluminum foil on one side of the panels. Cut and fold according to the plan, and then join both **AB** edges together with a tape.

- - - - - Fold away from you
 - - - - - Fold towards you
 _ _ _ _ _ Cut Line

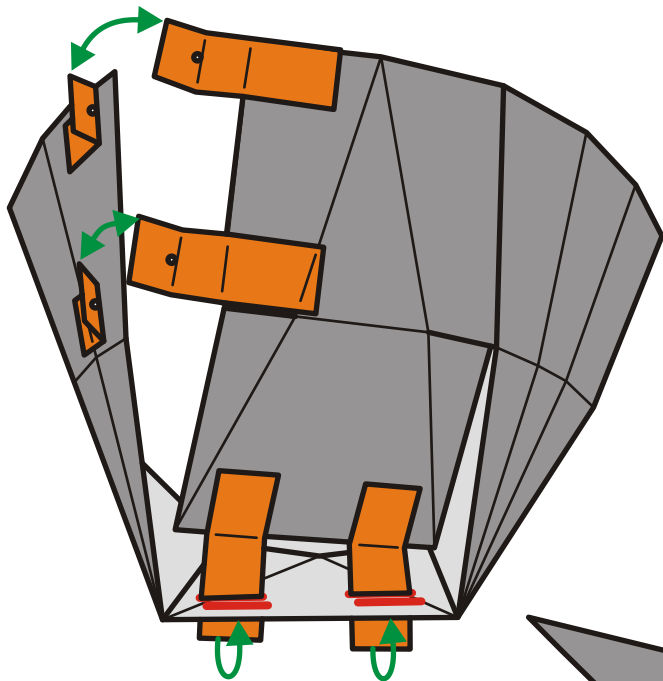


Turn the joined panels over and use glue to attach six cardboard flaps, which measure about 5cm in width, to the back of the panels as shown. The flaps allow for the cooker to be easily set up and dismantled.

Fun-Panel Cooker - Set Up Instructions

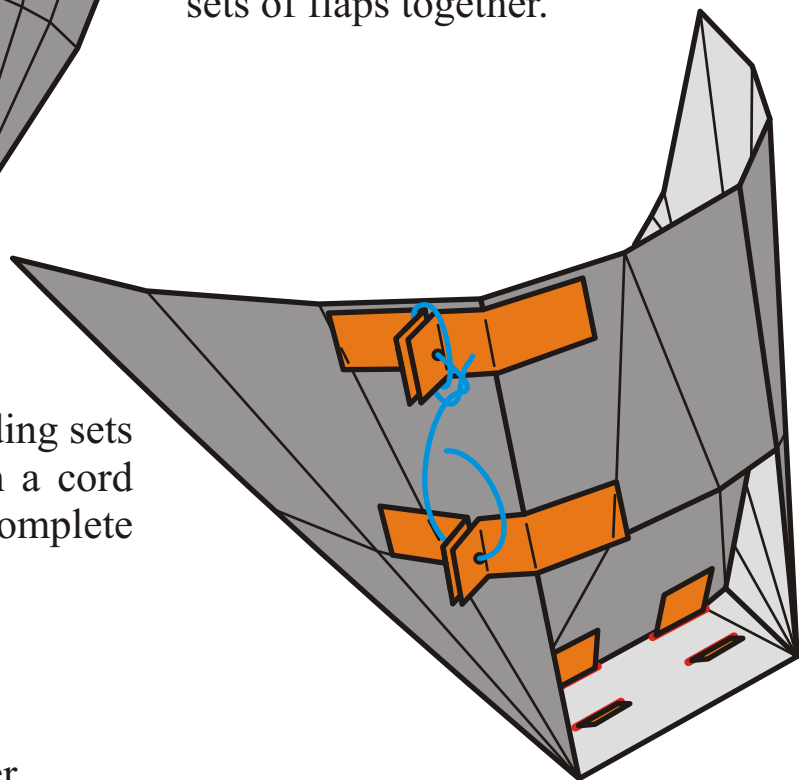


Make the width of the slots about the same as the thickness of the flaps. Insert the two flaps through the two upper slots as shown.

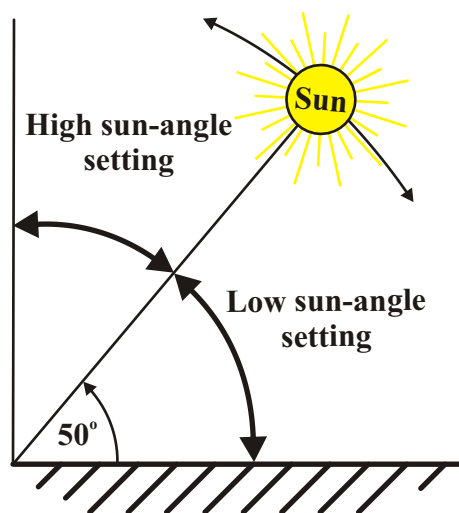


Pull the two inserted flaps all the way down, and then reverse the direction of the flaps and Insert them upward, through the two remaining slots as shown. Next bring the other two corresponding sets of flaps together.

Tie the two corresponding sets of flaps together, with a cord or rubber bands, to complete the cooker set up.

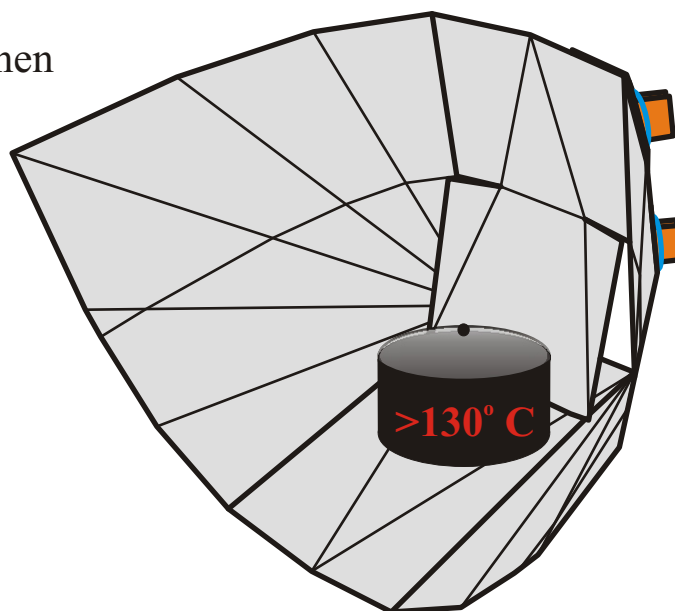


Fun-Panel Cooker - Cooking Instructions



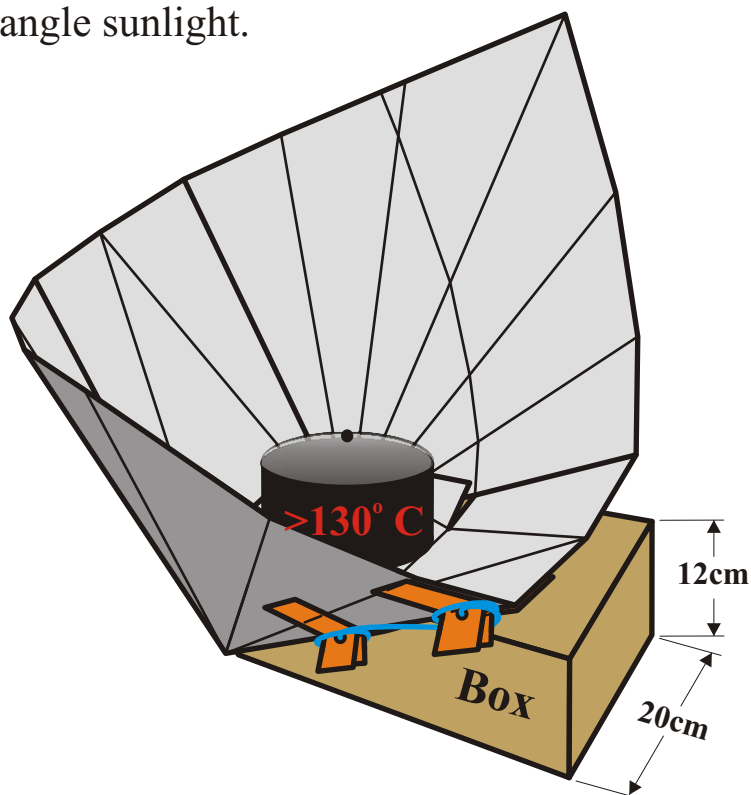
Fun-Panel Cooker can be positioned in two ways to better capture the sunlight (more on this later). To cook, place food in a black metal pot, 3-4 liter in size, and cover the pot with a clear glass lid. Enclosed the pot inside an oven bag if available. Place the pot in the middle of the cooker and face the cooker directly towards the sun to start cooking. As the sun moves across the sky, the cooker will need to be adjusted, from time to time, to ensure that the sunlight stays focused on the cooking pot.

The low sun-angle setting is for cooking when the sun-angle is less than 50° . If the sun-angle is below 35° , raise the pot by 5cm or more with a trivet to better capture the low angle sunlight.



Low sun-angle setting

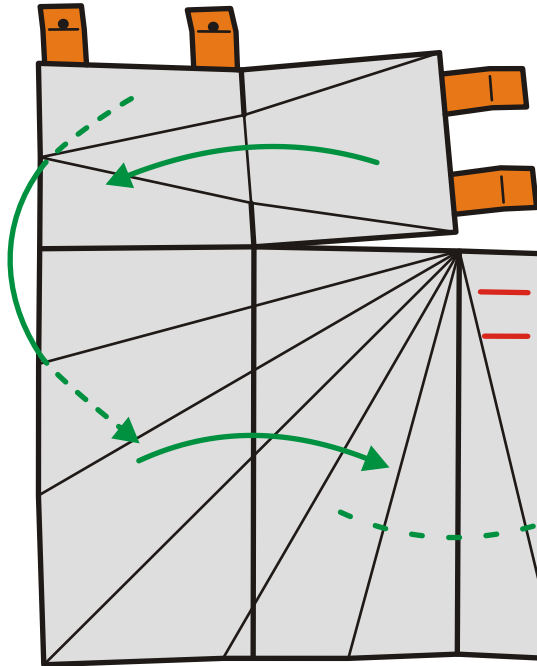
The high sun-angle setting is suitable for cooking when the sun-angle is greater than 50° . A small box, which measures at least 12cm in height and 20cm in width, is required to support both the cooker and the pot in this position. A used shoe box would serve this purpose very well.



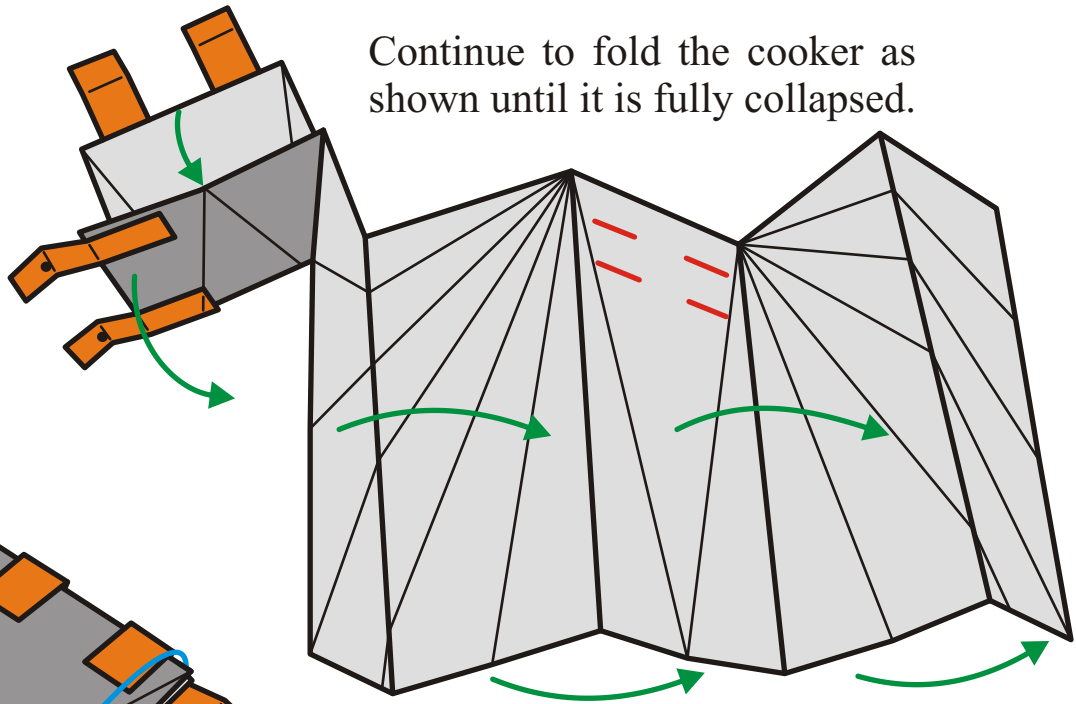
High sun-angle setting

Caution: Wear sunglasses to protect your eyes when solar cooking. Do not look directly at the sun or the reflected light from the cooker.

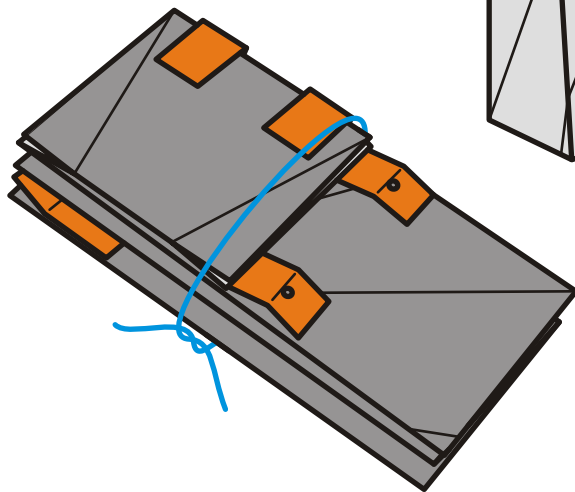
Fun-Panel Cooker - Folding Steps for Storage



Collapse the cooker, accordion style, in the directions as shown.



Continue to fold the cooker as shown until it is fully collapsed.



Tie the collapsed cooker with a cord to keep the panels together for easy storage and transportation.